

CHAMBERLAIN®

LiftMaster® PROFESSIONAL

RETROREFLECTOR PHOTO EYE PROTECTOR SYSTEM® OWNERS MANUAL MODEL CPS-RN4

CARTON INVENTORY

ITEM	QTY
Retroreflector Photo Eye	1
Retroreflector Photo Eye Bracket	1
Reflector	1
Hardware Bag	1

NOTE: Mounting bracket for the reflector not included.

INSTALL THE RETROREFLECTOR PHOTO EYE PROTECTOR SYSTEM®

Be sure power to the operator is disconnected.

The Retroreflector Photo Eye transmits an invisible light beam to the Reflector and then bounces the beam back to the Retroreflector Photo Eye. The units can be installed on either side of the garage door as long as the sun never shines directly into the Retroreflector Photo Eye lens.

The brackets must be connected and fastened so that the Reflector and Retroreflector Photo Eye face each other (Figure 1).

If an obstruction breaks the light beam while the garage door is closing, the door will stop and reverse to full open position.

The brackets must be securely fastened to a solid surface such as the studs on either side of the door, or add a piece of wood at each location if installing in masonry construction.

The invisible light beam path must be unobstructed. No part of the garage door (or door tracks, springs, hinges, rollers or other hardware) can interrupt the beam while the door is closing. If it does, use a piece of wood to build out each sensor mounting location to the minimum depth required for light beam clearance.

⚠ WARNING

To reduce the risk of SERIOUS INJURY or DEATH,

- This device is for use ONLY on LiftMaster® Commercial Door Operators.
- Disconnect power BEFORE installing the Commercial Protector System®.
- Read and follow ALL instructions.

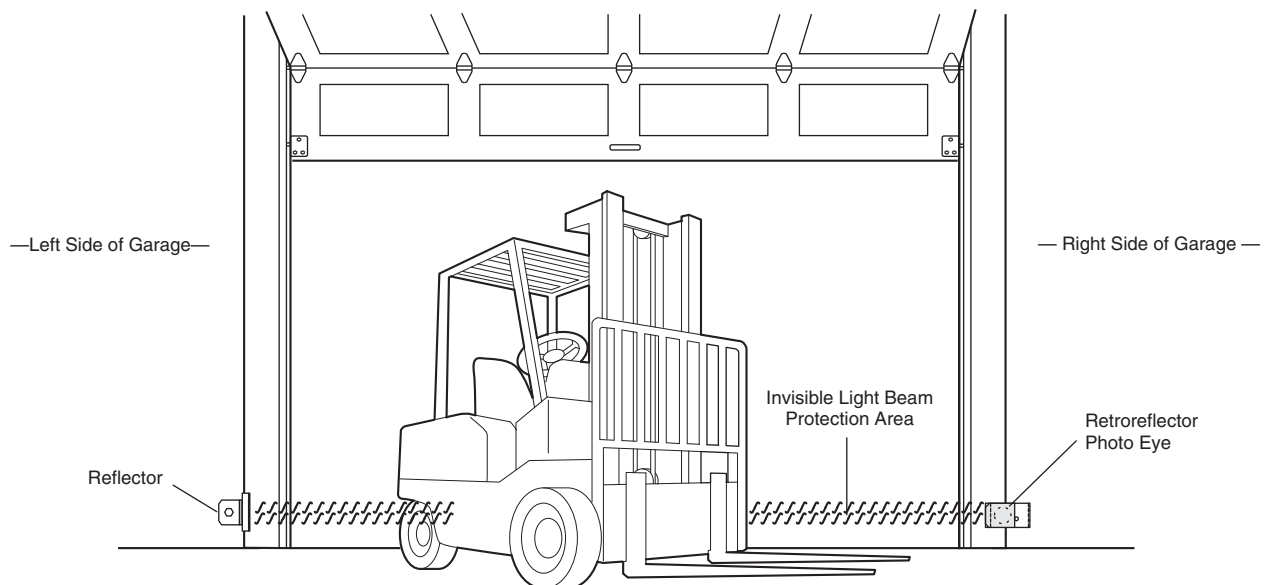
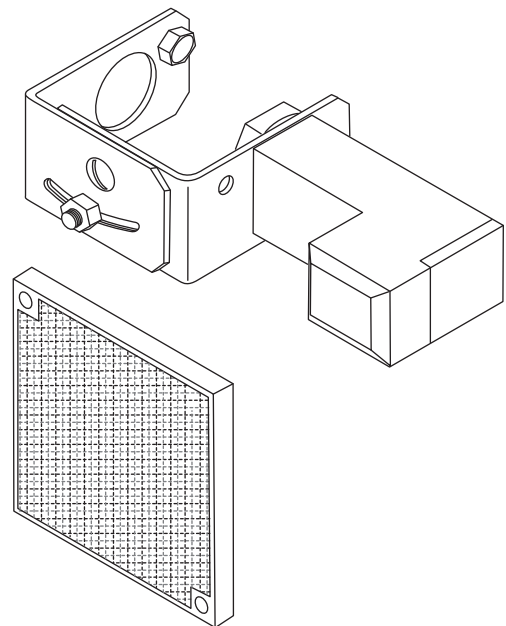


FIGURE 1 Facing the door from inside the garage.

INSTALLATION

IMPORTANT NOTE: Mount Retroreflector Photo Eye and Reflector 4"-6" above the floor. Do not exceed 6". For sensing above 6" a second Retroreflector Photo Eye Kit will be required.

FLOOR OR WALL MOUNT

For typical floor or wall mounting applications see Figure 2. If necessary, see Figure 3 for various assembly options to fit your application. Always use flat washer next to slot with radius (Figure 2). Insert track bolts through holes as shown.

NOTE: Putting track bolts in slots will prevent brackets from pivoting. Attach assembly to wall with lag screws provided. To attach to concrete use concrete anchors (not provided).

TRACK MOUNT

To mount to door track use only one bracket (Figure 4).

FIGURE 2

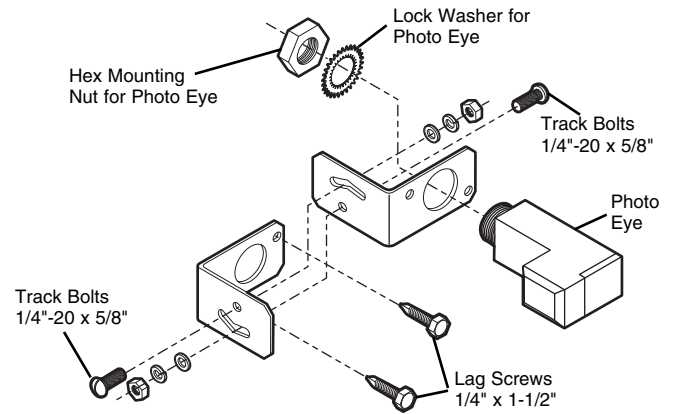
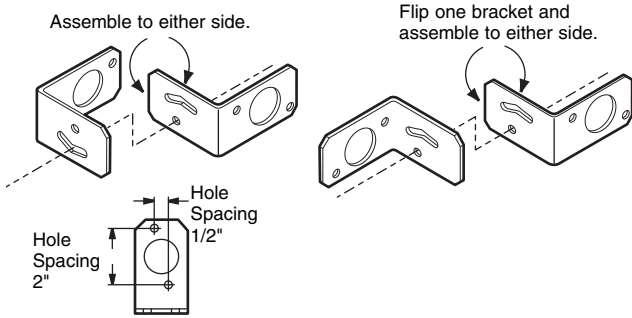
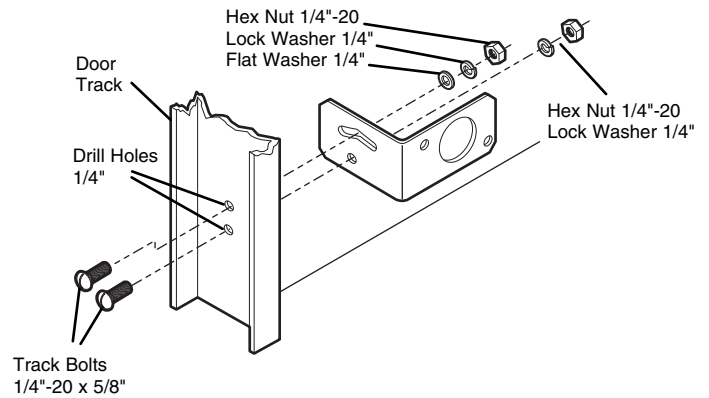


FIGURE 3 Assembly Variations



To attach vertically to 2" x 4" wall stud and prevent wood from splitting, bracket may also be rotated with slot on top.

FIGURE 4

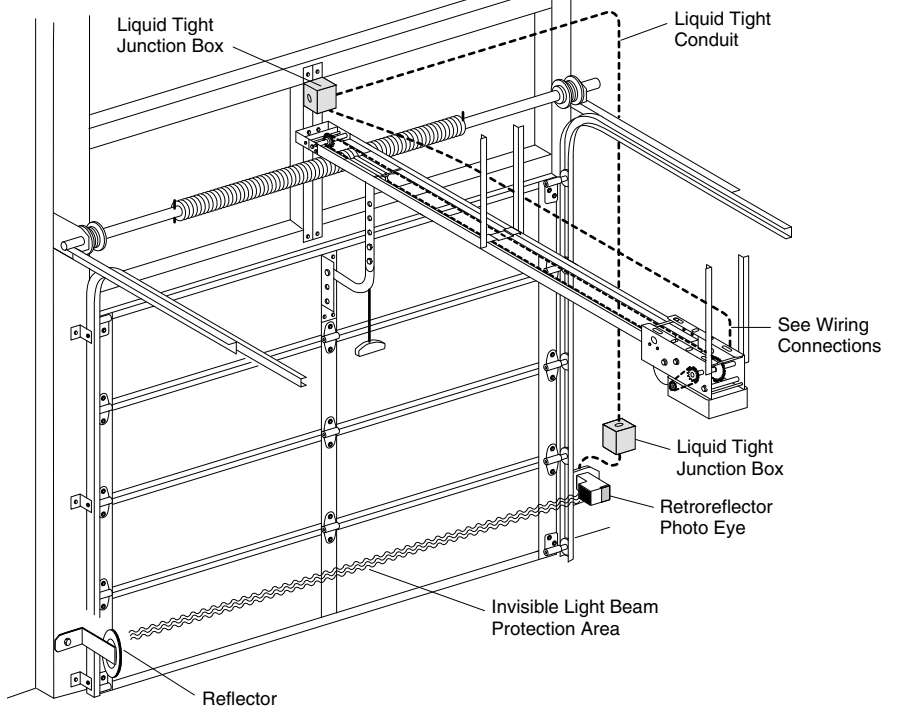


CONDUIT CONNECTIONS:

Use a liquid tight fitting (1/2" trade size) with sealing washer to connect to sensors. The sensors are supplied with 36" long leads. We recommend the use of a liquid tight junction box near each sensor to make the connection to the sensor leads (Figure 5). Use rigid or flexible liquid tight conduit (depending on local codes) from junction boxes to operator.

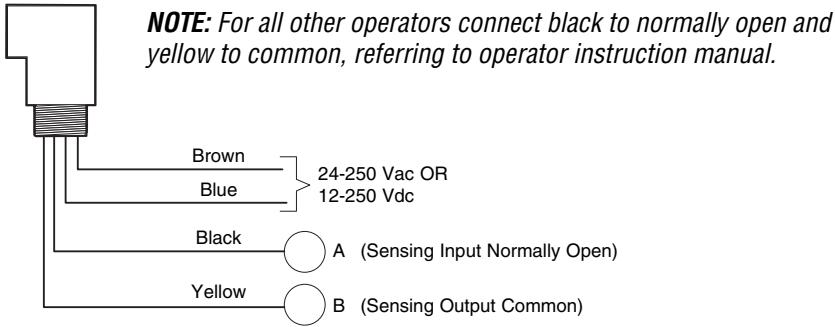
IMPORTANT: Use a copper wire 20 AWG (minimum) for connection between the Photo Eye and the operator.

FIGURE 5



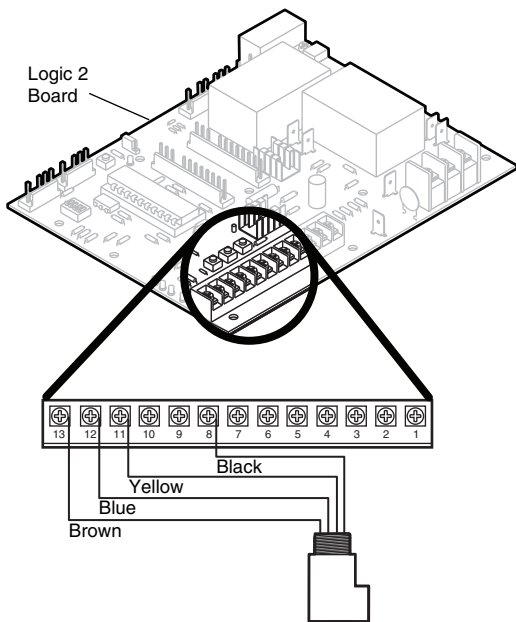
WIRING

WIRING CONNECTIONS FOR ELECTRO MECHANICAL OPERATORS

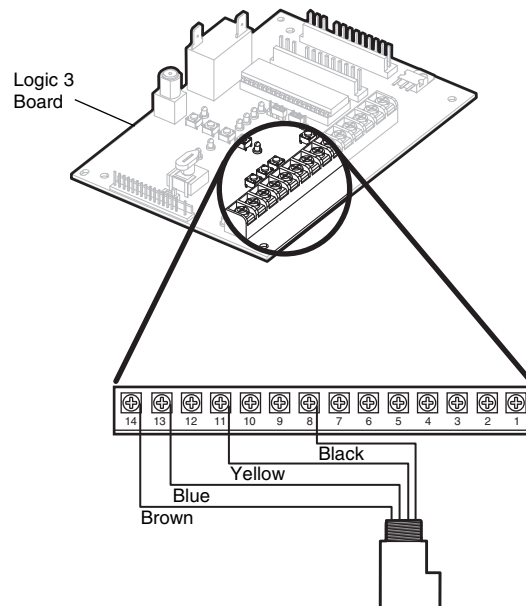


MODEL	TERMINALS	
	A	B
M-LINE		
MT	10	3
MH	10	3
MJ	10	3
STANDARD LINE		
T	10	3
GT	10	3
GH	10	3
HJ	10	3

WIRING CONNECTIONS FOR LOGIC 2 OPERATORS

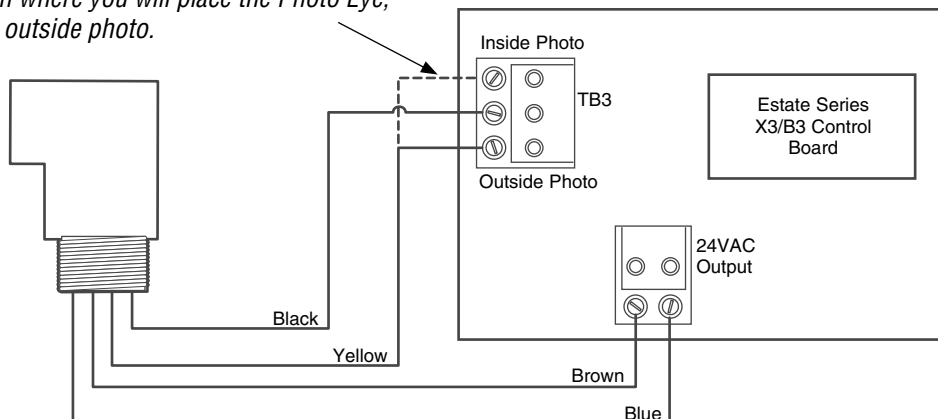


WIRING CONNECTIONS FOR LOGIC 3 OPERATORS

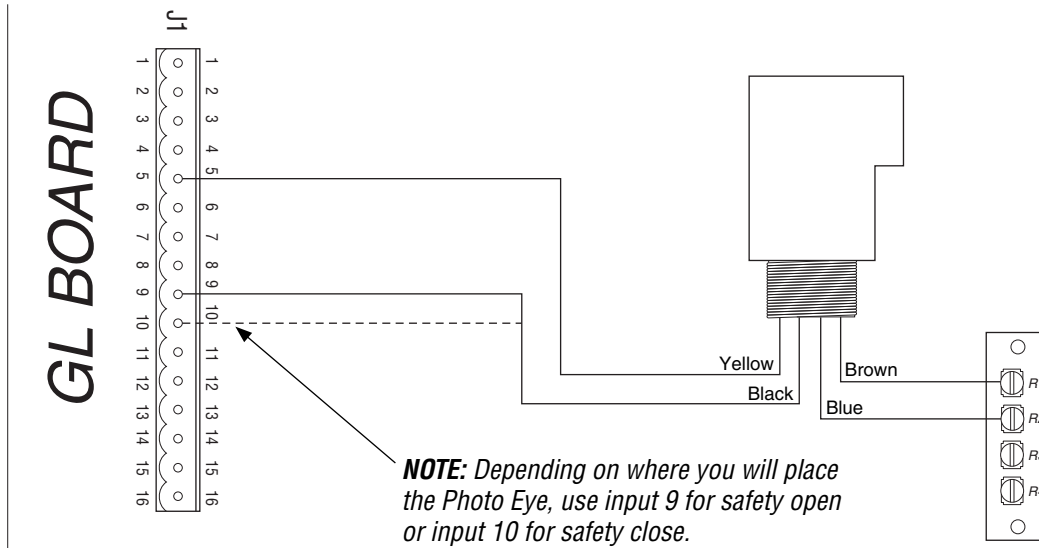


WIRING CONNECTIONS FOR LIFTMASTER ESTATE SERIES X3 OR B3 CONTROL BOARD

NOTE: Depending on where you will place the Photo Eye, use inside photo or outside photo.



WIRING CONNECTIONS FOR LIFTMASTER OPERATORS FEATURING GL CONTROL BOARD



OPERATION AND MAINTENANCE

TESTING THE PROTECTOR SYSTEM®

Test the Retroreflector Photo Eye Protector System®:

- Press the OPEN button to fully open the door.
- Press the CLOSE button to close the door.
- Obstruct the light beam while the door is closing. The door should reverse.

⚠ WARNING

To reduce the risk of **SERIOUS INJURY** or **DEATH**, the Commercial Protector System® **MUST** be properly installed and working. Professional service is required if the opener closes the door when the CDO Commercial Protector System® is obstructed.

TROUBLE SHOOTING

INDICATOR LED'S

GREEN (Power), always lit when power is present. If not lit check power supply and connections of Blue and Brown wires.

RED (SIG), lit and blinking when aligned correctly with the reflector. If LED is not lit check for alignment with reflector and/or clean the Photo Eye lens and the reflector.

Yellow (OUT), LED will only be lit if obstruction is blocking the invisible light beam, the Yellow and Black wires are grounded or shorted out or Photo Eye is not aligned with the reflector.

NOTE: For non-logic or solid state operators, if the door is stopped in a position other than fully closed (without activation of the SLS), activation of the Photo Eye will cause the door to open.

HOW TO ORDER REPAIR PARTS

OUR LARGE SERVICE ORGANIZATION
SPANS AMERICA

FOR INSTALLATION AND SERVICE INFORMATION
SIMPLY DIAL OUR TOLL FREE NUMBER:

1-800-528-2806

www.liftmaster.com